

Datasheet

Concrete Backbox for 7" Install Speaker

Part No: 610161



About the product

The Concrete Backbox is perfect for installation of the Install Speaker 7 in concrete ceilings.

Technical Data

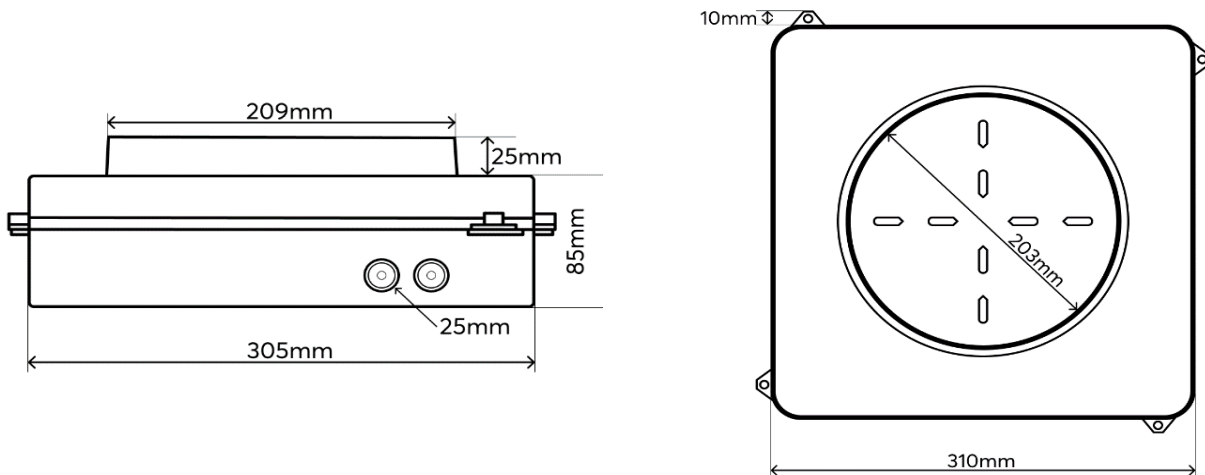
Ingress protection | IP20 (when combined with Speaker)

Product Characteristics

Colours	Purple: RAL4006
Material	Polycarbonate, halogen-free
Damping material	Polyester fleece (glued in)

Weight & Dimensions

Net weight	1.1kg
Volume	8l
Conduit entries	2x M25
Product dimensions	330x330x110mm / 12.99x12.99x4.33" (LxWxH)



Pack size | 350x350x125mm / 13.78x13.78x4.92" (LxWxH)

Published by

Loxone Electronics GmbH

Smart Home 1
4154 Kollerschlag
Austria
Tel: +43 7287 7070-0
loxone.com

Loxone UK

The Forum
Station Road
Theale, RG7 4RA
United Kingdom

Datenblatt

Betoneinbaugehäuse für 7" Install Speaker

Art. Nr. 610161



Information zum Produkt

Das Betoneinbaugehäuse eignet sich perfekt für die Installation des Install Speaker 7 in Betondecken.

Technische Daten

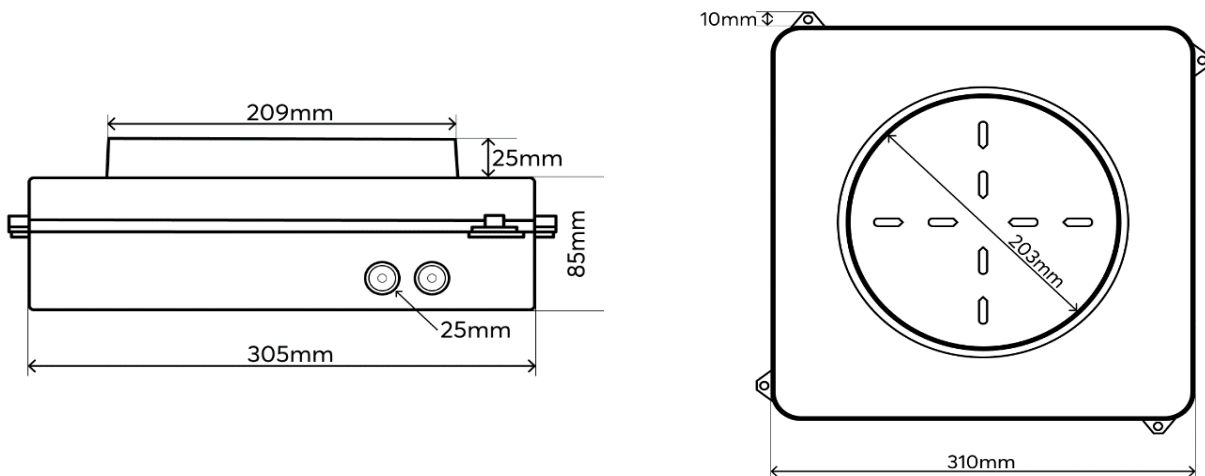
Schutzart | IP20 (in Kombination mit Lautsprecher)

Produkteigenschaften

Farbe	Lila: RAL4006
Material	Polycarbonat, halogenfrei
Dämpfungsmaterial	Polyestervlies (eingeklebt)

Gewicht & Abmessungen

Nettogewicht	1,1kg
Volumen	8l
Rohreinführungen	2x M25
Produktmaße	330x330x110mm / 12,99x12,99x4,33" (LxBxH)



Packmaß | 350x350x125mm / 13,78x13,78x4,92" (LxBxH)

Published by Loxone Electronics GmbH

Smart Home 1
4154 Kollerschlag
Austria
Tel: +43 7287 7070-0
loxone.com

Loxone UK

The Forum
Station Road
Theale, RG7 4RA
United Kingdom