

Datasheet

Power Supply 6.25A

Part No: 200161



Technical Data

Model | SOY-2400625-454

Input Specifications

Rated Voltage	100 ... 240VAC
Rated Frequency	50/60Hz
Input Current	max. 2.5A
Inrush Current (240VAC, rated output load and 25°C)	max. 100A
AC Leakage Current	max. 0.25mA

Output Specifications

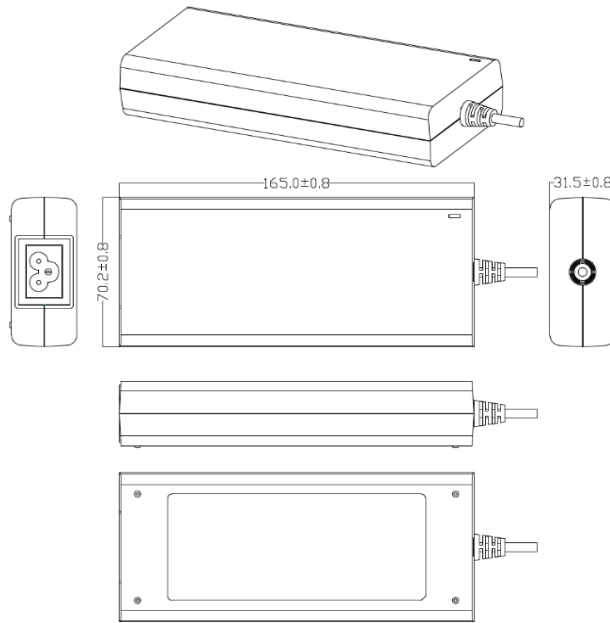
Output Voltage	24 ... 25.5VDC
Rated Load	6.25A
Output Power	150W
Line Regulation	±1%
Load Regulation	±5%
Ripple and Noise (20MHz bandwidth)	max. 240mV
Turn on delay time (115VAC)	max. 3s
Rise Time (115VAC)	max. 40ms
Hold-up Time (115VAC)	min. 5ms
Efficiency	typ. 88%
Overshoot	max. 10%

Ambient conditions

Operating Temperature	-10 ... 40°C / 14 ... 104°F
Humidity	max. 95% r.H. (non condensing)
Ingress protection	IP20

Dimensions

Product dimensions | 165x70.2x31.5mm / 6.5x2.76x1.25" (LxWxH)



Certifications & Standards

Standards	EN/UL 62368 EN55032 EN55013 EN61000
-----------	--

Certifications	
----------------	--

Shenzhen SOY Technology Co., Ltd

4f, 5f 501, A building, No. 11,
Dakan Industrial 2nd Road,
xili Town, Nanshan District,
Shenzhen City, China