

## Technical Specifications

<b>Power Supply</b>	via Nano Relay Air
<b>Safety Rating</b>	IP30
<b>Capacitive Touch</b>	5 Touch Points, capacitive touch detection
<b>Ambient Temperature</b>	-20 ... 70°C / -4 ... 158°F
<b>Humidity</b>	max. 95% r.H. (non condensing)
<b>Dimensions</b>	Touch for Nano: 104x44,5x18,9mm / 4.09x1.75x0.74" (LxWxH)  Touch for Nano with Nano Relay Air: 104x45x44mm / 4.09x1.77x1.73" (LxWxH)
<b>Operation</b>	Type 1 (IEC 60730-1, UL 60730-1)
<b>Degree of Pollution</b>	2
<b>Maintenance &amp; Cleaning</b>	This device is free of maintenance and may only be cleaned with a dry cloth.

# LOXONE

**Loxone Electronics GmbH**  
Smart Home 1  
4154 Kollerschlag  
Austria



For additional information,  
declaration of conformity, visit  
[www.loxone.com/datasheets](http://www.loxone.com/datasheets)

V190924



**Need Help?**  
[loxone.com/support](http://loxone.com/support)

# LOXONE



## Touch for Nano

Part No.: 100427 (White)

## About the product

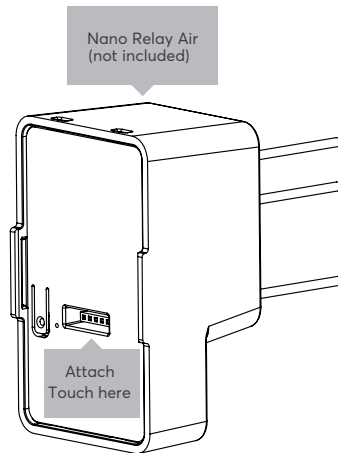
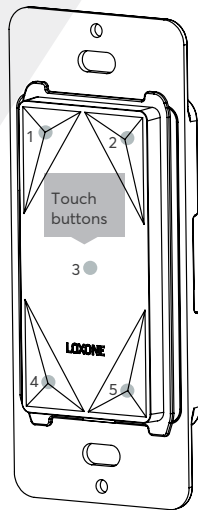
The Loxone Touch has five touch zones, which can be configured according to your needs. The large central touch zone is ideal for controlling lighting, whilst the corner zones are handy for controlling music and blinds, for example.

## Features

- 5 touch buttons
- Optional click feedback

## Installation

Attach the Touch on the Nano Relay Air. Install the device on the desired installation place and configure it in Loxone Config.



This folder is a part of the product!



For additional information,  
visit [www.loxone.com/help/touch-nano-us](http://www.loxone.com/help/touch-nano-us)