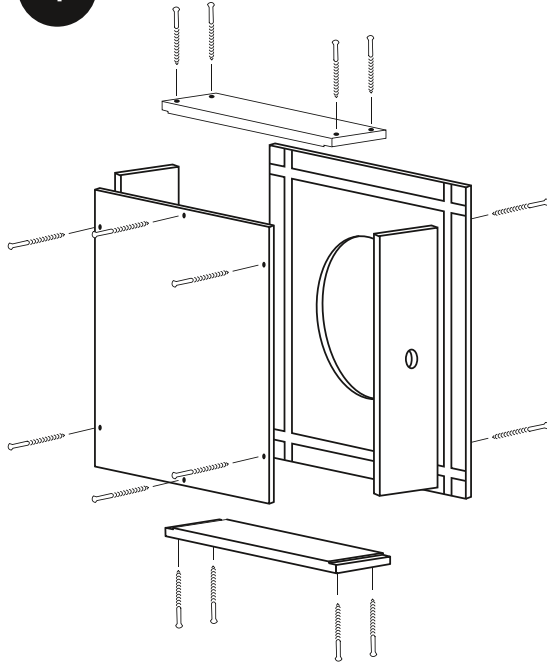


# Back Box Install 7/10

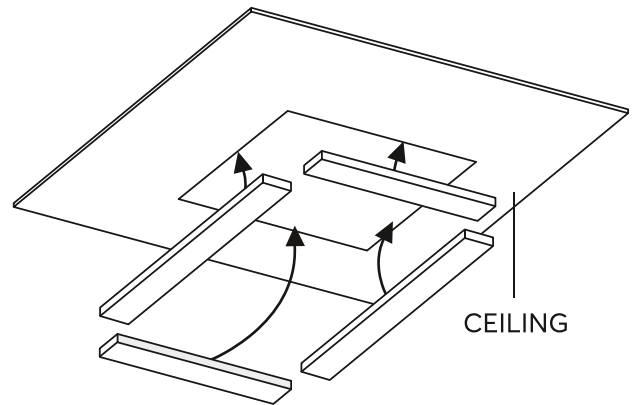
Type of construction: Suspended Ceilings

1



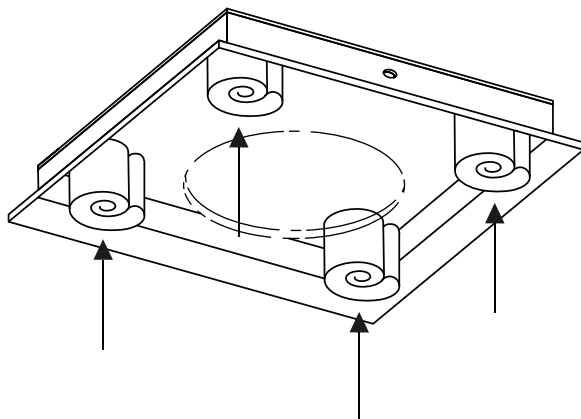
Assemble your Speaker Back Box.  
Screw drive TX15

2



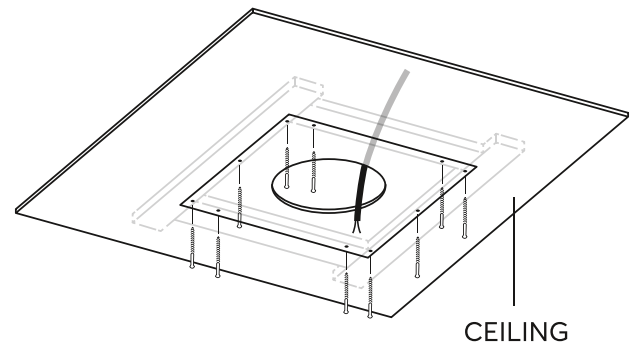
Cut a hole into the drywall  
(same measurement as the Back box)  
And fix 4 battens for mounting

3



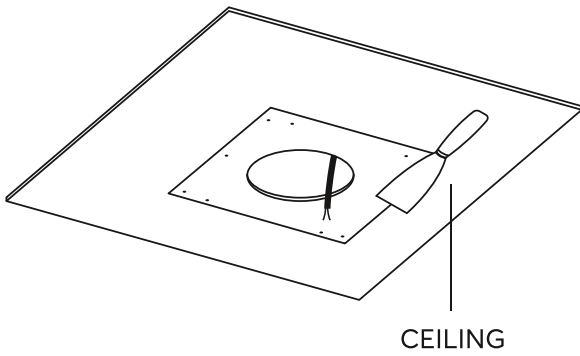
Roll up the Acousticfleece  
and stuff it into the corners.  
**Note: Acousticfleece must  
not touch the speaker.**

4



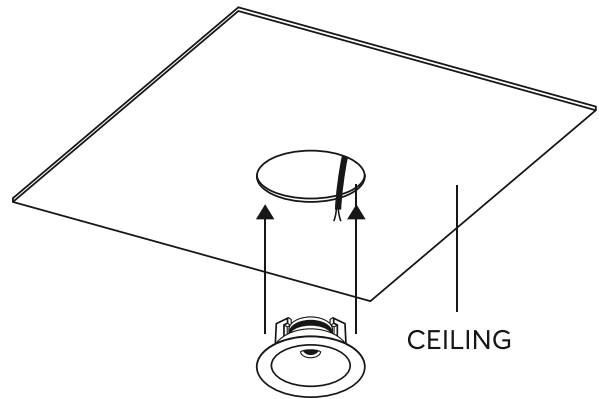
Align and mount the Speaker Back Box.  
Don't forget the cable!

5



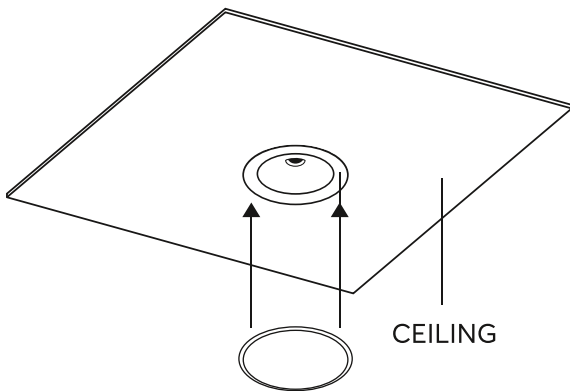
Fill the gaps and screw holes according to local standards.

6



Wire the speaker and mount it into the Speaker Back Box.

7



Fit the cover for the Install Speaker.

**NOW RELAX AND  
LISTEN TO YOUR  
FAVOURITE MUSIC!**